

Data-Sheet-Fixed Vacuum Capacitor

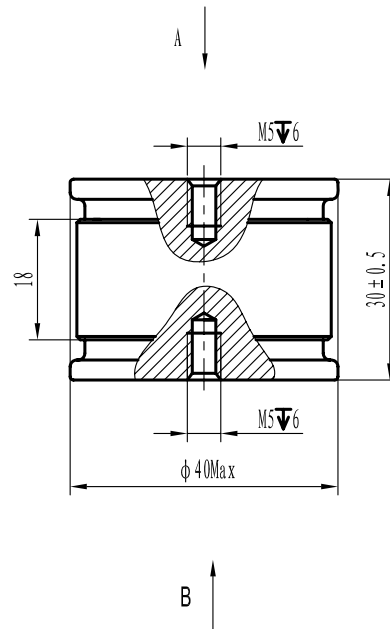
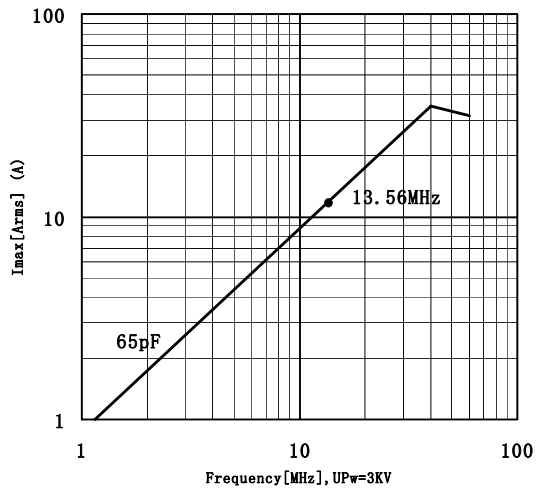
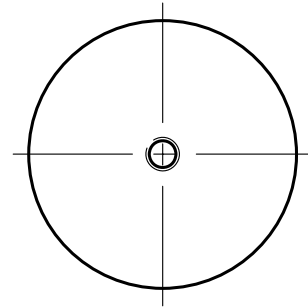
CKT65/3.5/35



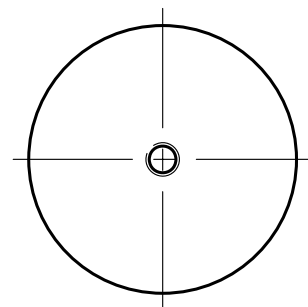
www.glvac.cn

Specification	
Capacity $C_{max}$ (nominal)	65pF
Voltage (Peak Test $U_{pt}$ /Peak Working $U_{pw}$ )	5kV/3kV
Capacity tolerance	$\pm 5\%$
Max. Current $I_{max}$ at 40MHz with	35Arms
Conduction Cooling	
Net Weight	0.16kg

VIEW B



VIEW A



UNLESS OTHERWISE SPECIFIED:

$\leq 30$ :  $\pm 0.5$      $30 \sim 400$ :  $\pm 1.2$      $\geq 400$ :  $\pm 2.5$      $\angle$ :  $\pm 1^\circ$

Rev: 00

Page 1/1

Issue: 22-Nov-2019

Approved By:

Date:

Company: