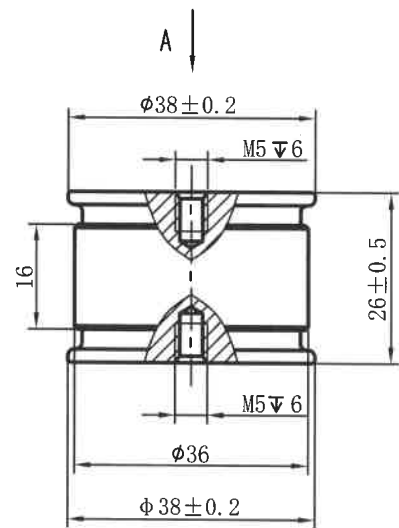
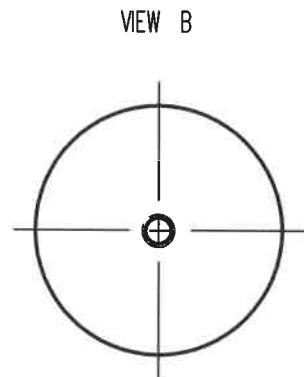
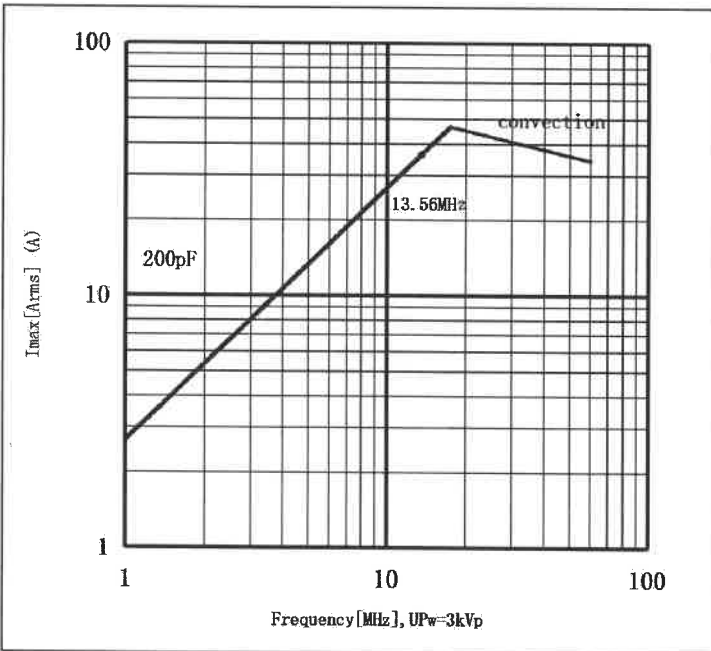


# Data-Sheet-Variable Vacuum Capacitor CKT200/5/36TC



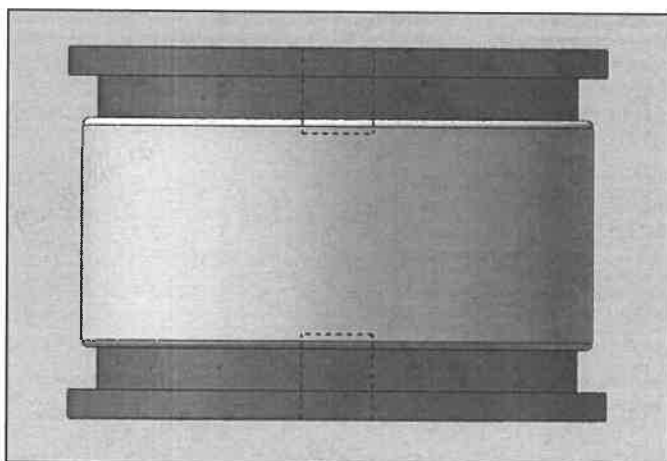
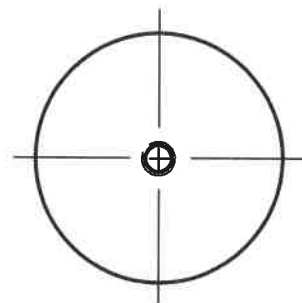
Specification	
Capacity $C_{max}$ (nominal)	200pF
Voltage (Peak Test $U_{pt}$ /Peak Working $U_{pw}$ )	5kVp/3kVp
Capacity tolerance at 13.56MHz with	$\pm 5\%$
Max. Current $I_{max}$ at 13.56MHz with	36Arms
Net Weight	105g



B ↑

1:1

VIEW A



1. This capacitor will be no plating.
2. This capacitor will use laser marking and without GL logo/Made in China.

UNLESS OTHERWISE SPECIFIED:

$\leq 30$ :  $\pm 0.5$  30~400:  $\pm 1.2$   $\geq 400$ :  $\pm 2.5$   $\angle$ :  $\pm 1^\circ$

Rev: 00

Page1/1

Issue: 17-Aug-2023



Address: ST28 Xihu Road, Kunshan, Jiangsu Province, China  
TEL: +86 (512) 36872110

Web: www.glvac.com  
FAX: +86 (512) 36872122

E-mail: e-sales@glvac.cn  
Zip Code: 215333