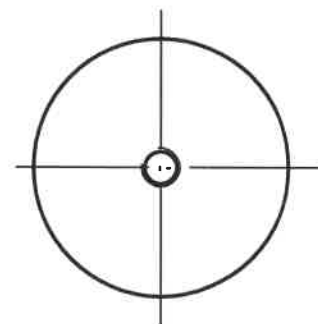
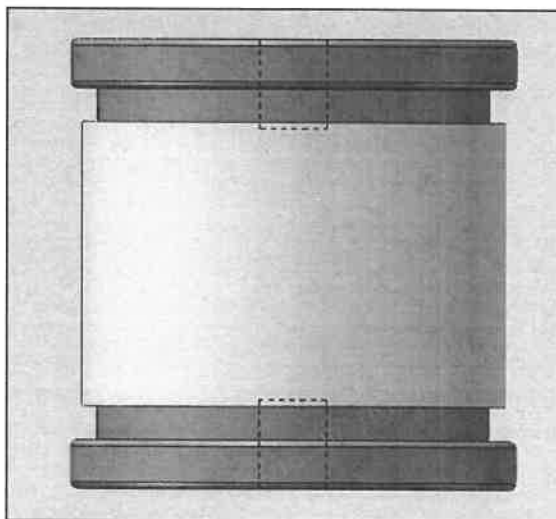
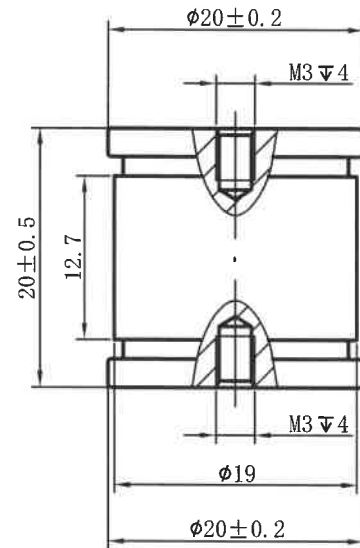
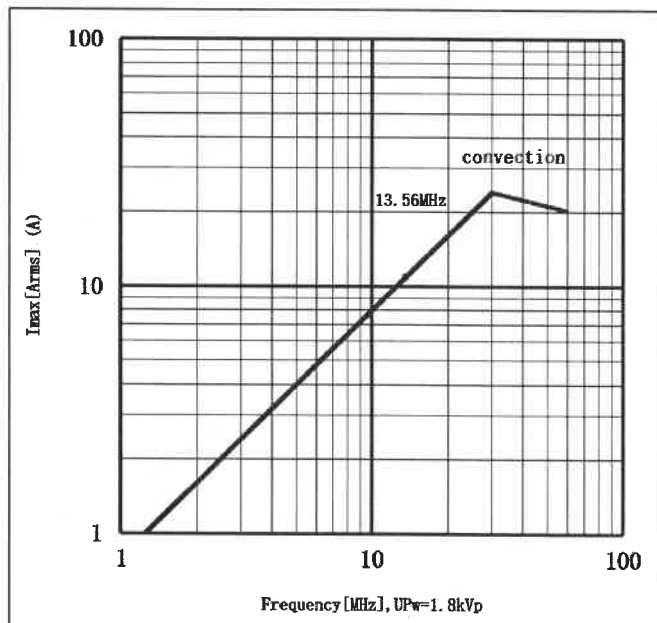
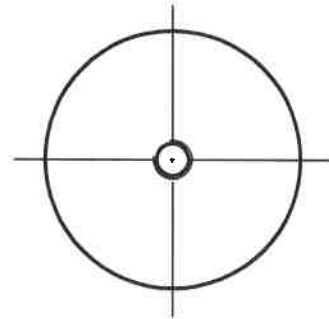


Data-Sheet-Variable Vacuum Capacitor CKT100/3/11TC



Specification	
Capacity C_{max} (nominal)	100pF
Voltage (Peak Test U_{pt} /Peak Working U_{pw})	3kVp/1.8kVp
Capacity tolerance	$\pm 5\%$
Max. Current I_{max} at 13.56MHz with	11Arms
Max. Current I_{max} at 60MHz with	20.17Arms
Net Weight	30g



2:1

1. This capacitor will be no plating.
2. This capacitor will use laser marking and without GL logo/Made in China.

UNLESS OTHERWISE SPECIFIED:

≤ 30 : ± 0.5 $30 \sim 400$: ± 1.2 ≥ 400 : ± 2.5 \angle : $\pm 1^\circ$

Address: ST28 Xihu Road, Kunshan, Jiangsu Province, China
TEL: +86 (512) 36872110

Rev: 00

Web: www.glvac.com
FAX: +86 (512) 36872122

Page 1/1

Issue: 25-Sep-2023

E-mail: e-sales@glvac.cn
Zip Code: 215333