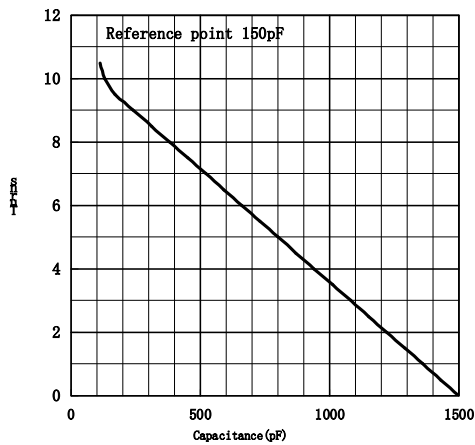


Data-Sheet-Variable Vacuum Capacitor YL67-5-1500

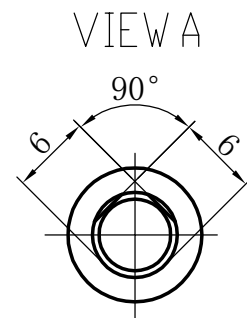
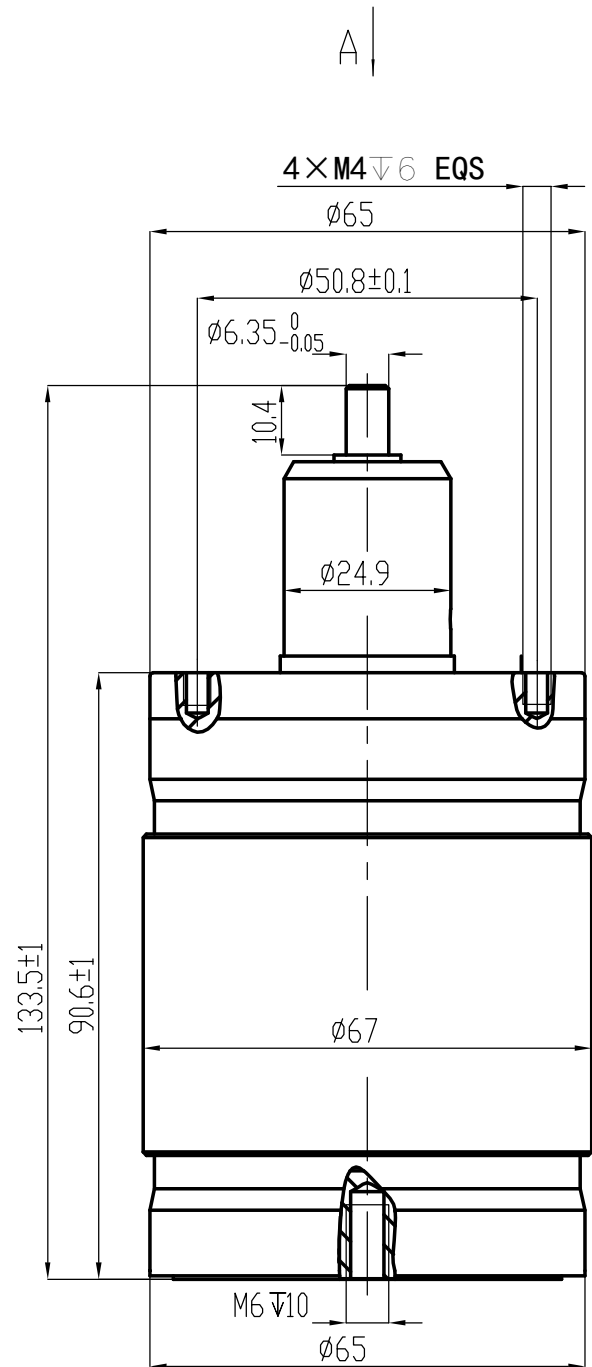
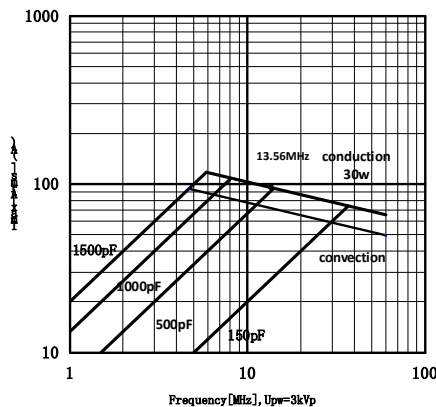


www.glvac.com

Specification	
Capacity C_{max} (nominal)	1500pF
Capacity C_{min} (nominal)	150pF
Voltage (Peak Test U_{pt} /Peak Working U_{pw})	5KVp/3KVp
Capacity Tolerance (Linear Range)	$\pm 5\%$
Max. Current I_{max} at 13.56MHz with	95Arms
Conduction Cooling	30W
Capacitance per turn	140pF/turn
Torque	$\leq 0.18N \cdot m$
Net Weight	0.9kg
Turns	10.5 ± 0.5



I_{max} at 25 °C ambient and 125 °C surface for convection and conduction (30W) cooling



UNLESS OTHERWISE SPECIFIED:

$\leq 30: \pm 0.5$ $30 \sim 400: \pm 1.2$ $\geq 400: \pm 2.5$ $\angle \pm 1^\circ$

Address: ST28 Xihu Road, Kunshan, Jiangsu Province, China
TEL: +86 (512) 36872110

Web: www.glvac.com
FAX: +86 (512) 36872122

Rev:02

Page: 1/1

Issue: 23-Feb-2022

E-mail: e-sales@glvac.cn
Zip Code: 215333