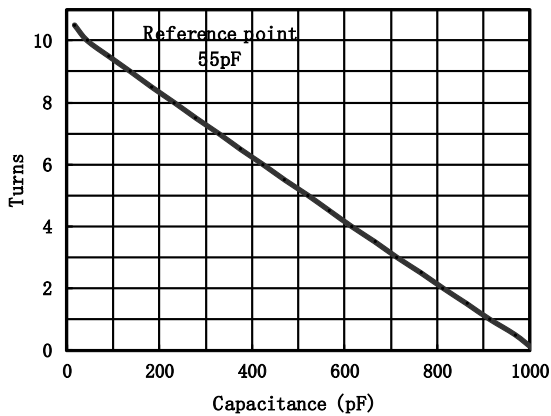


Data-Sheet-Variable Vacuum Capacitor YL56-5-1000

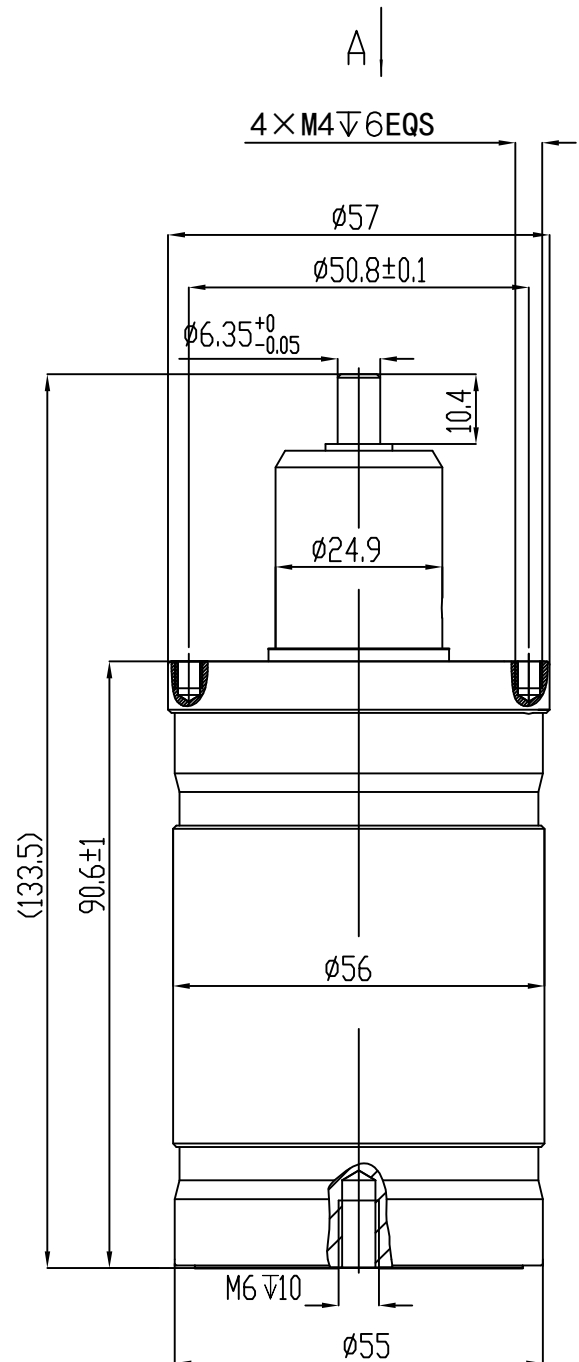
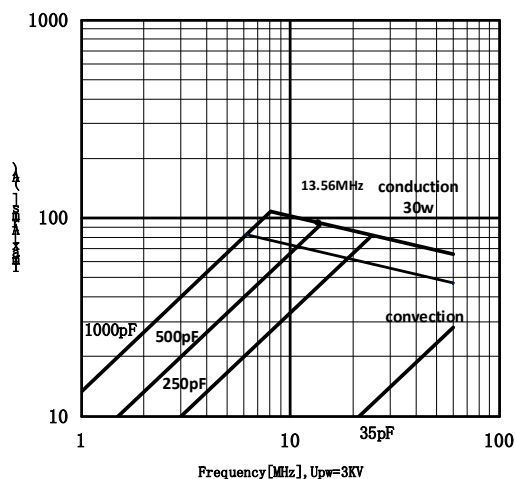


www.glvac.com

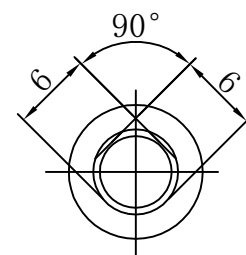
Specification	
Capacity C_{max} (nominal)	1000pF
Capacity C_{min} (nominal)	45pF
Voltage (Peak Test U_{pt} /Peak Working U_{pw})	5KVp/3KVp
Capacity Tolerance (Linear Range)	$\pm 5\%$
Max. Current I_{max} at 13.56MHz with Conduction Cooling	95Arms 30W
Capacitance per turn	94pF
Torque	$\leq 0.18N \cdot m$
Net Weight	0.7kg
Turns	10.5 ± 0.5



I_{max} at 25 °C ambient and 125 °C surface for convection and conduction (30W) cooling



VIEW A



UNLESS OTHERWISE SPECIFIED:

≤ 30 : ± 0.5 $30 \sim 400$: ± 1.2 ≥ 400 : ± 2.5 $\angle \pm 1^\circ$

Address: ST28 Xihu Road, Kunshan, Jiangsu Province, China
TEL: +86 (512) 36872110

Web: www.glvac.com
FAX: +86 (512) 36872122

E-mail: e-sales@glvac.com
Zip Code: 215333