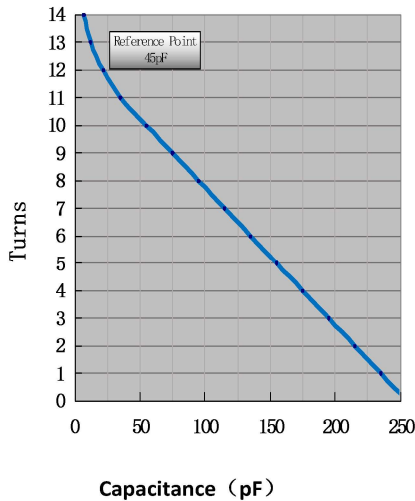
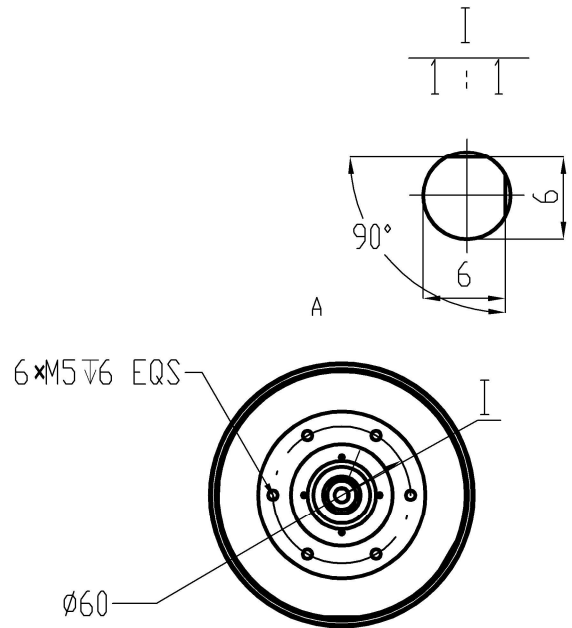


Data-Sheet-Variable Vacuum Capacitor YL115-30-250C

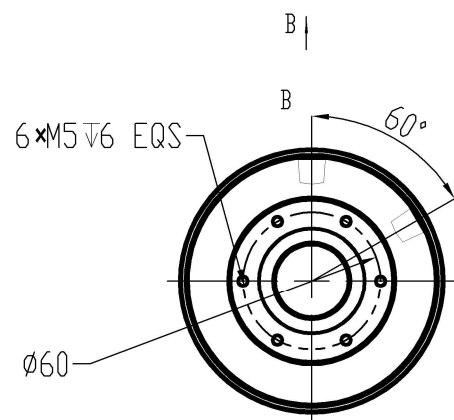
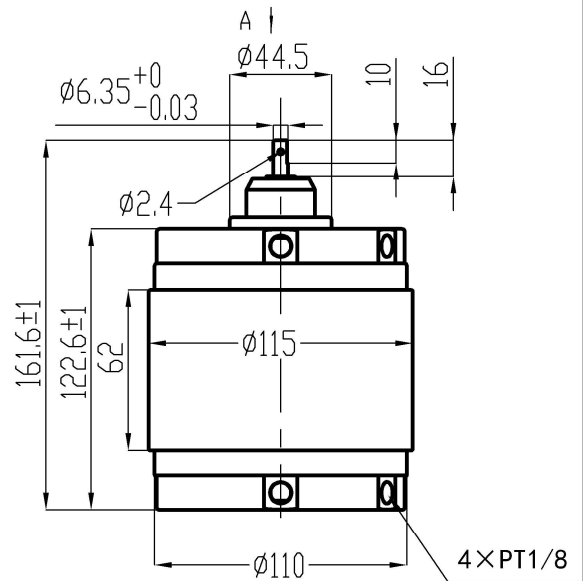
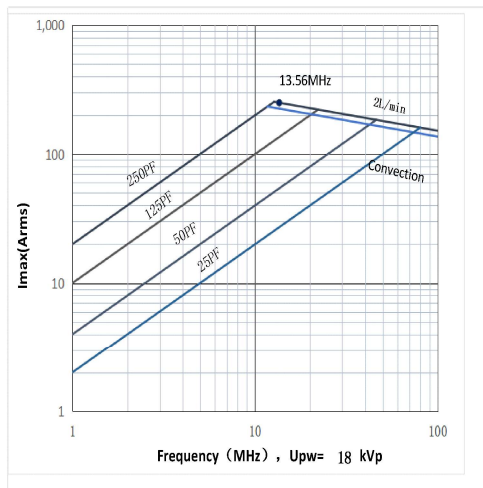


www.glvac.com

Specification	
Capacity C_{max} (nominal)	250pF
Capacity C_{min} (nominal)	25pF
Voltage (Peak Test U_{pt} /Peak Working U_{pw})	30kVp/18kVp
Capacity Tolerance (Linear Range)	$\pm 5\%$
Max. Current I_{max} at 13.56MHz with	200Arms
Water Cooling	2L/min
Capacitance per turn	20pF/turn
Torque	$\leq 0.2N \cdot m$
Net Weight	$\leq 3.6kg$
Turns	14.3 ± 0.3



I_{max} at 2L/min watercooling; max. temp. at inlet 70 °C



UNLESS OTHERWISE SPECIFIED:

$\leq 30: \pm 0.5$ $30 \sim 400: \pm 1.2$ $\geq 400: \pm 2.5$ $\angle \pm 1^\circ$

Rev: 01

Page: 1/1

Issue: 08-Feb-2021

Address: ST28 Xihu Road, Kunshan, Jiangsu Province, China
TEL: +86 (512) 36872110

Web: www.glvac.com
FAX: +86 (512) 36872122

E-mail: e-sales@glvac.cn
Zip Code: 215333