

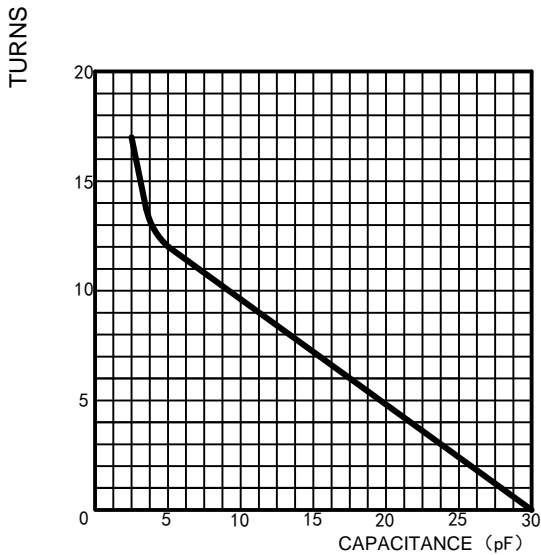
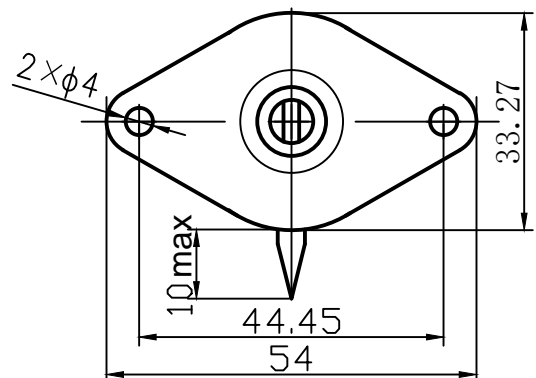
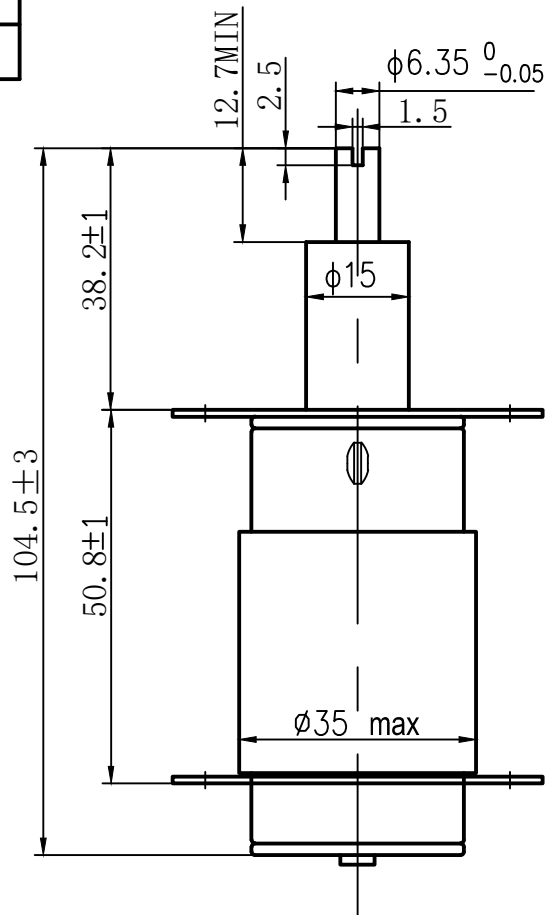
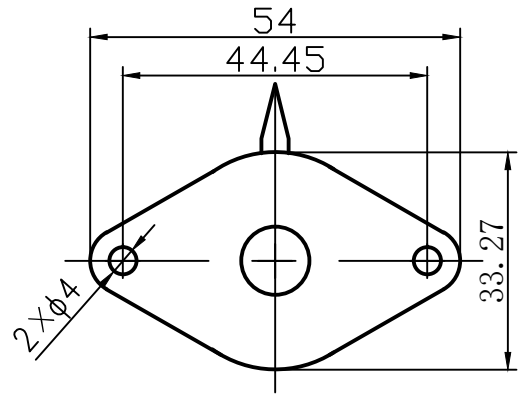
Data-Sheet-Variable Capacitor

CKTB30/9/30



www.glvac.cn

Specification	
Capacity C_{max} (nominal)	30pF
Capacity C_{min} (nominal)	3pF
Voltage (Peak Test U_{pt} /Peak Working U_{pw})	15kV/9kV
Capacity tolerance (liner Range)	10%
Max. Current I_{max} at 13.56MHz with	30Arms
Conduction Cooling	10W
Capacitance per turn	2.1pF/turn
Torque	$\leq 0.17N \cdot m$
Net Weight	0.2 kg



I_{max} at 25° ambient and 125° surface temp. for convection and conduction (10W) cooling

